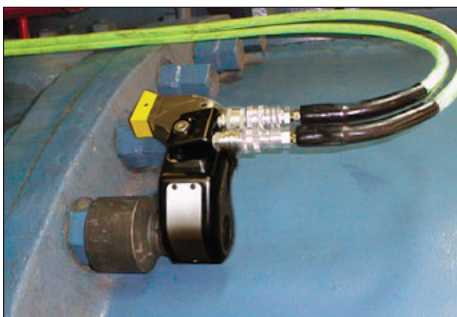


The World's Most Trusted Industrial Torque and Tension Systems

EDGE™ SERIES

3-MOVING PART, SQUARE DRIVE TORQUE WRENCH

- Universal push through square drive for quick switch from loosening to tightening
- 3-Moving-Part system for simple and inexpensive repairs
- Perfect for maintenance jobs requiring up to 30,000 ft-lbs
- 360 degree rotatable reaction arm for perfect fit on many jobs
- Uniswivel technology for free movement and positioning of tool and hoses
- The most cost effective torque wrench in the world



24 Hour SERVICE

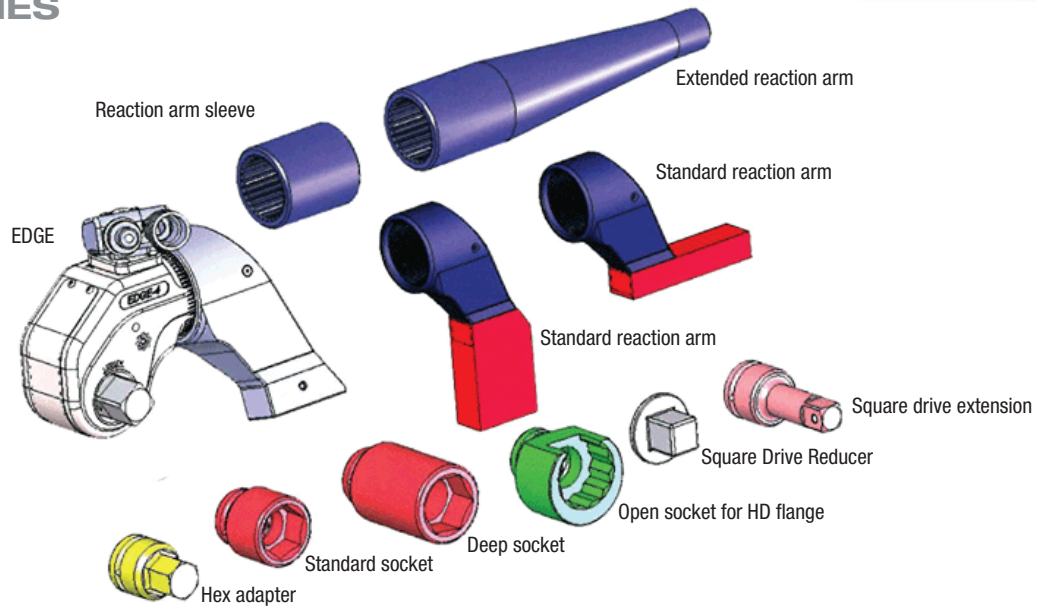
800-FOR-HYTORC

www.hytorc.com

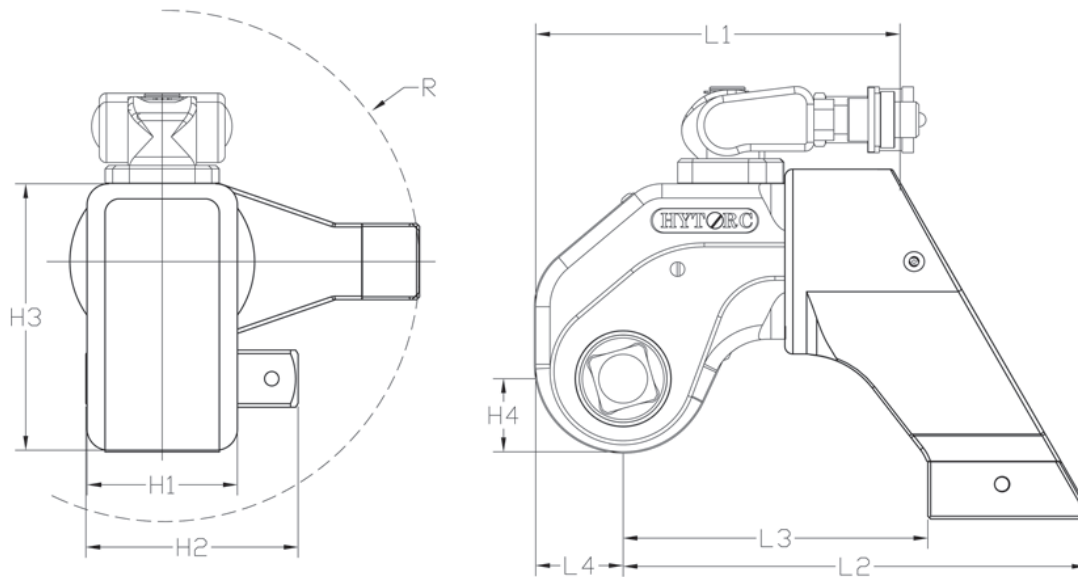
HYTORC®
Since 1968

333 RT. 17 N. MAHWAH, NJ 07430

ACCESSORIES



DIMENSIONAL DATA



DRIVE	L1	L2	L3	L4	H1	H2	H3	H4	R	Weight	Min Torque	Max Torque	
	Inches/mm										Lbs./kN.	Ft. Lbs./Nm	
EDGE-.5	¾"	4.01/101.9	5.06/128.5	3.32/84.3	0.98/24.9	1.64/41.7	2.57/65.3	2.95/74.9	0.98/24.9	2.77/70.4	3.3/1.5	119/161	820/1,112
EDGE-2	¾"	4.94/125.5	6.23/158.2	4.12/104.6	1.18/30.0	1.97/50.0	2.75/69.9	3.53/89.7	0.99/25.1	3.37/85.6	4.05/1.8	177/240	1,244/1,687
EDGE-4	1"	6.4/162.6	8.14/206.8	5.34/135.6	1.56/39.6	2.63/66.8	3.69/93.7	4.71/119.6	1.31/33.3	4.55/115.6	8.5/3.9	441/598	3,067/4,158
EDGE-8	1-½"	8.67/220.2	11.45/290.8	7.64/194.1	2.11/53.6	3.57/90.7	5.16/131.1	6.57/166.9	1.85/47.0	6.07/154.2	20.05/9.1	1,224/1,660	8,518/11,549
EDGE-12	1-½"	9.56/242.8	12.13/308.1	7.98/202.7	2.34/59.4	3.95/100.3	5.55/141.0	7.07/179.6	1.96/49.8	6.08/154.4	25/11.4	1,643/2,227	10,953/14,850
EDGE-30	2-½"	13.71/348.2	17.11/434.6	11.48/291.6	3.33/84.6	5.64/143.3	8.21/208.5	10.1/256.5	2.79/70.9	8.94/227.1	64.7/29.4	4,428/6,004	29,523/40,027